

OPERATING MANUAL

Air heater Type XS, S, M, L, XL, PN10, PH, HT



XS20



XS21



S21



S32



S36



M50



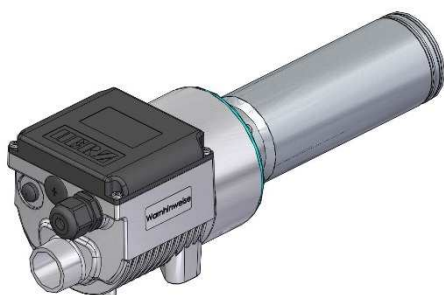
M50L



L62



XL92



L62HT



XL92HT



PH62



PH92



PN10

	Page
WARNINGS / SAFETY	3
COMMISSIONING / INSTALLATION	4
INTENDED USE	
STANDARD AND SPECIAL EXECUTIONS	5
CONNECTION SCHEDULE FOR SPECIAL EXECUTIONS	
	6
- TYPES XS20	6
- TYPES XS21	7
- TYPES S21, S32, S36	8
- TYPES M50, M50L	9
DESCRIPTION OF THE DEVICE AND TECHNICAL SPECIFICATIONS	
- TYPES L62	10
- TYPES XL92	11
- TYPES L62HT, XL92HT	12
- TYPES PH62, PH92	13
- TYPEN PN10	14
MAINTENANCE	14
SERVICE AND REPAIR, GUARANTEE AND LIABILITY	15
SHIPPING, HANDLING AND STORAGE, INFORMATION AND CONSULTATION, DISPOSAL	15
EC DECLARATION OF CONFORMITY	16
ADRESSES	20



Danger to life when opening the air heater, as live components and connections are exposed. The device must be **fully** disconnected from the mains before opening. Electric work shall only be operated by qualified personal (according to TRBS 1203).



Risk of fire and explosion if air heaters are installed and used incorrectly, particularly near flammable materials and explosive gases. **Not suitable for hazardous locations!** The minimal air flow must not be undercut.



Risk of burns! Do not touch heating element pipes and nozzles used when hot. Let the device cool down. Do not point the hot air jet at persons or animals.



The mains voltage specified on the device's type plate must correspond to the mains voltage. Air heaters with a fix connection must be connected to a separator (e.g. mains switch).

Special connecting conditions $Z_{\max} = 0.039\Omega + j 0.025\Omega$ for short time rating (30 min.);
according to IEC/EN 61000-3-11; $Z_{\max} = 0.026\Omega + j 0.016\Omega$ for continuous operation
Consult your local electricity board if necessary.



Device in protection class I (should be earthed using a protective conductor)



Device in protection class II



The device must be supervised when in operation. The heat can reach flammable materials that are out of view.



Protect the device from damp and wet!

**1.0. INSTALLATION / Connection (only be conducted by a qualified person)
(thermal security class 1 according to EN 60519-1, paragraph 10.6)**

- 1.1. When installing the tool, ensure that:
 - the electric connection directs above a separator, which corresponds to the capacity (full disconnection with 3mm contact clearance, near to the device and easily gettable);
 - the electrical protection is aligned to the nominal current.
 - no (warm air) back pressure develops;
 - the device is not positioned within the hot air jet of a different device.
- 1.2. Protect the device from vibration and shock! At mechanical movements **damping must be used**.
- 1.3. **Decommissioning:** De-energize the device, disconnect the mains supply.

2.0. AIR SUPPLY

- 2.1. To protect the device and heating element the minimum air volume must flow. Never exceed the max. temperature. (Measured at the hottest point 3mm from the air outlet)
The heater must be switched off, if the inlet air falls below the minimum. This function should be included into the safety circuit of the equipment.
- 2.2. Air heaters WITH electronics may only be supplied with supply air up to a maximum of 50°C/122°F, air heaters WITHOUT electronics with a maximum of 80°C/176°F (special versions Type L62 and Type XL92 up to a maximum of 100°C/212°F supply air temperature).
Exceptions are the air heaters PH62 and PH92, which can be supplied with temperatures up to 180°C/356°F (see technical data and special designs)!
- 2.3. Pay attention at the direction of air flow!

Air heater Type XS20, PH and PN10: (as special versions also the series S, M, L and XL)	Air heater Type XS21, S, M, L, XL and PH: (as special versions also with compressed air connection)
<p>2.4. When using compressed air, a pressure reduction valve and an oil and water separation unit must be in the supply.</p> <p>2.5. The air flow can be adjusted by means of an air flow regulator.</p>	<p>2.6. As an air supply, HERZ blowers should be used, as optimum results can be achieved (pay attention at the direction of rotation and the electrical connection).</p> <p>2.7. For use in a dusty environment clean the filter of the blows regularly. When a critical dust problem exists (e.g. metal, electrically charged or damp dust) special filters must be used to avoid short circuiting in the tool.</p> <p>2.8. The air flow can be adjusted by means of an air flow regulator.</p>

NOTE: The air heaters of the series XS21, S, M, L and XL are NOT pressure-resistant!!!

3. OPERATION

- 3.1. Make sure that the hot air can flow freely. Warmth backflow can occur damage on the device (risk of fire!).
- 3.2. CAUTION: Pay attention to the minimum air volumes according to the technical data (see page 6 – 14).
- 3.3. Allow the blower to cool the unit after using.

!!! CAUTION: The device may NEVER be operated without air supply !!!

INTENDED USE

Air heaters are modular units which create process heat in industrial environments.

Their installation and the working process shall only occur after observance of every safety arrangement for the provided place of installation and application. The accordance with the effective edition of the equipment and operations safety (GPSG) and the machine standards (MRL) must be guaranteed.

The air production, which is necessary for the application, shall be produced by an appropriate **HERZ** blower.

STANDARD AND SPECIAL EXECUTIONS

1.0. Standard design:

Series S, M, L, XL und PN10:

- 1.1. The air heaters are equipped with control electronics for temperature adjustment with built-in potentiometer and integrated heating element and device protection.
- 1.2. Externally controllable via a PWM signal (12-24 VDC, 1 Hz)
- 1.3. Without electronics

2.0. Special version's

Series S, M, L, XL und PN10:

- External potentiometer (assembled)
- Internal PID control with internal TC
- Internal thermocouple with compensation line

Series S and M:

- Up to a maximum for recirculation 80°C/176°F inlet air temperature (only devices WITHOUT electronics).

Series L and XL:

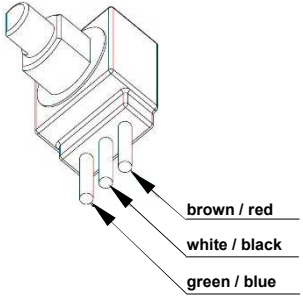
- Up to a maximum for recirculation 100 C/212°F inlet air temperature (only devices WITHOUT electronics).

Series PH:

- Temperature resistant up to max. 180°C/356°F supply air temperature.

The air heaters of the series XS, PH and HT are available exclusively WITHOUT internal control electronics!

CONNECTION SCHEDULE FOR SPECIAL EXECUTIONS

Control cable for external control series S/M: - digital signal (PWM) 10-24VDC; 1 Hz	+ = brown - = white
Control cable for external potentiometer (except Type XS/PH/HT):	
Compensation line with internal thermocouple type 'K':	+ = green - = white

Note for type L/XL:

After the device protection has responded, this fault is signaled on devices with electronics via a relay contact.. The built-in relay provides a potential-free changeover contact to the terminals 1-3 (3) mentioned in the wiring diagram. This fault message can only be switched off again by a "reset", that is, the device must be de-energized

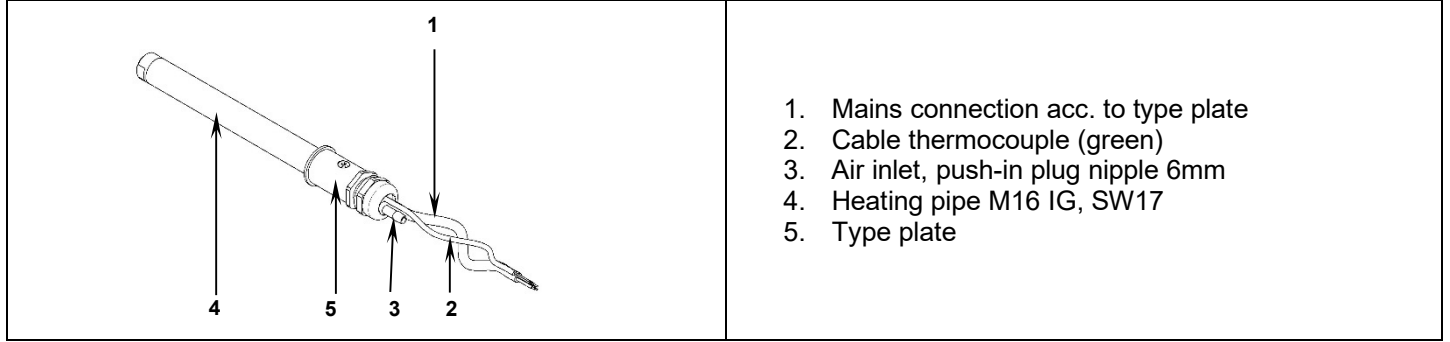
Measures when activating the heating element or tool protection trips:

Disconnect the device from the mains power, after 3 seconds the device restarts automatically. Check air supply (air pressure, flow and filter), reconnect the device to the mains power.

Special voltages and special services on request. Further custom-made products on request

DESCRIPTION OF THE DEVICE AND TECHNICAL SPECIFICATIONS

Description of the device series XS20:



- 1. Mains connection acc. to type plate
- 2. Cable thermocouple (green)
- 3. Air inlet, push-in plug nipple 6mm
- 4. Heating pipe M16 IG, SW17
- 5. Type plate

Connection diagram:

Black 1	→	L1
Black 2	→	N
Yellow/Green	→	⊖ Protective conductor
Green (+)	→	Thermocouple type "K"
White (-)	→	Thermocouple type "K"

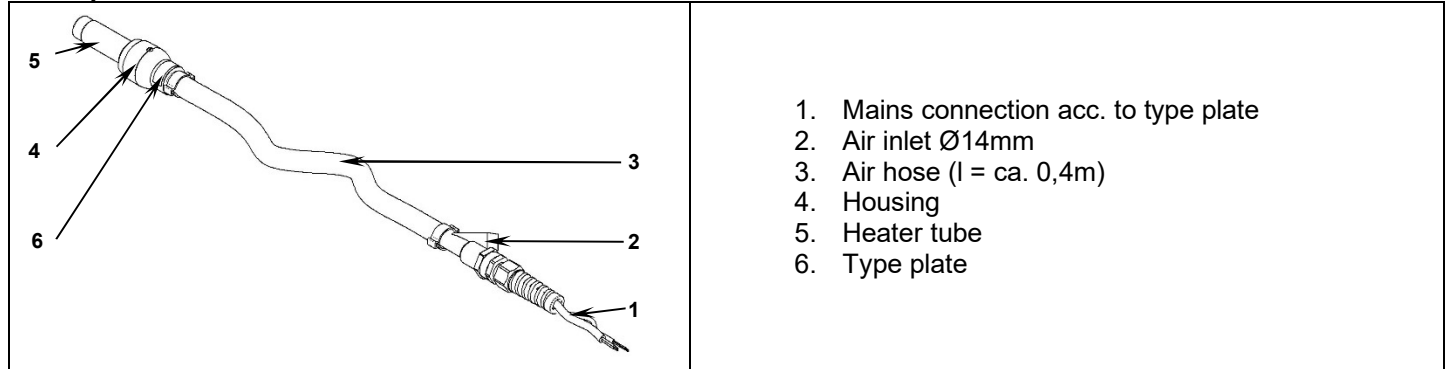
Technical data:

Air heater type	XS20						XS20L					
	VAC	120	230	120	230	120	230	120	230	120	230	460
Voltage	VAC	120	230	120	230	120	230	120	230	120	230	460
Frequency	Hz	50/60										
Power	kW	0,45		0,8		1,0		1,5		2,0		
Electricity	A	3,75	1,95	7,0	3,5	8,3	4,4	12,5	6,5	16,7	8,8	4,4
Max. temperature	°C / °F	650 / 1202										
Min. air volume	l/min	30		60		75		100		150		
Max. pressure	bar	6,0										
Thermocouple	type	,K'										
Weight	kg	0.4						0.5				
Air inlets Ø	mm	Push-In plug nipple 6mm										
Blow off opening Ø	mm	M16 inside thread, SW 17										
Dimensions with push-in-nipple (length x Ø)	mm	286 x 30						343 x 30				
Conformity symbol												
Protection class I												

!!! Please ask for special heating elements (power, voltage) !!!

DESCRIPTION OF THE DEVICE AND TECHNICAL SPECIFICATIONS


Description of the device series XS21:



Connection diagram:

	Brown → L1
	Blue → N

Technical Data:

Air heater type		XS21	
Voltage	VAC	230	
Frequency	Hz	50 / 60	
Power	kW	0,435	0,8
Electricity	A	1,9	3,5
Max. temperature	°C	600	
Min. air volume	l/min	100	210
Weight	kg	0,3	
Air inlets Ø	mm	14	
Ausblasöffnung Ø	mm	15	
Heating pipe Ø	mm	21	
Dimensions (L x W x H) - without hose	mm	113 x 36	
Conformity symbol	CE		
Protection class II			

!!! Please ask for special heating elements (power, voltage) !!!

DESCRIPTION OF THE DEVICE AND TECHNICAL SPECIFICATIONS

Description of the device series S:

	<ol style="list-style-type: none"> 1. Screwed cable gland mains connection 2. Potentiometer 0-8 (control cable with external control (PWM 10 – 24VDC, max. cycle time 1 second)) (no potentiometer in devices without electronics) 3. Mounting on underside of housing M 4 (useful thread length 7 mm) 4. Heater tube 5. Cover 6. Type plate 7. Air inlet
--	--

Connection diagram:

	<p>Standard with Poti</p> <p>N, L1 or L1, L2 = Mains connection acc. to type plate</p> <p>(11mm of insulation from wire ends)</p>		<p>Type without electronics</p> <p>N, L1 or L1, L2 = Mains connection acc. to type plate</p> <p>(11mm of insulation from wire ends)</p>
--	--	--	--

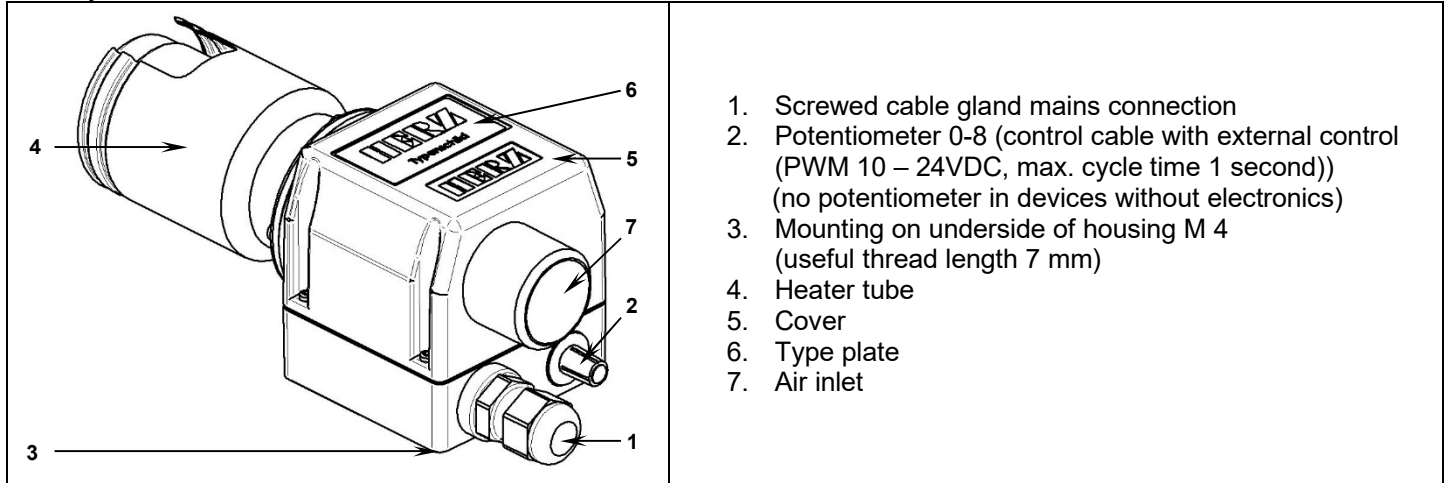
Technical data:

Air heater type		S21			S32					S36				
Voltage	VAC	120	230		120	230				120	230	400	480	
												(2Ph)		
Frequency	Hz	50 / 60												
Power	kW	0,55	0,435	0,8	1,6	0,7	1,0	1,6	2,0	2,2	2,3	3,3		
Electricity	A	4,6	1,9	3,5	13,3	3,0	4,3	7,0	8,7	18,3	10,0	14,3	8,3	6,9
Max. temperature	°C/°F	600/1112				650/1202								
Min. air volume	l/min	150	110	210	240	110	195	230	430	280	420	420		
Weight	kg	0,3			0,4					0,47				
Air inlets Ø	mm	19												
Blow off opening Ø	mm	13			16					22				
Heating pipe Ø	mm	21			32					36 / 43				
Dimensions (L*W*H)	mm	188 x 69,5 x 58			233 x 70 x 59					241 x 70 x 59				
Conformity symbol														
Protection class II														

!!! Please ask for special heating elements (power, voltage) !!!

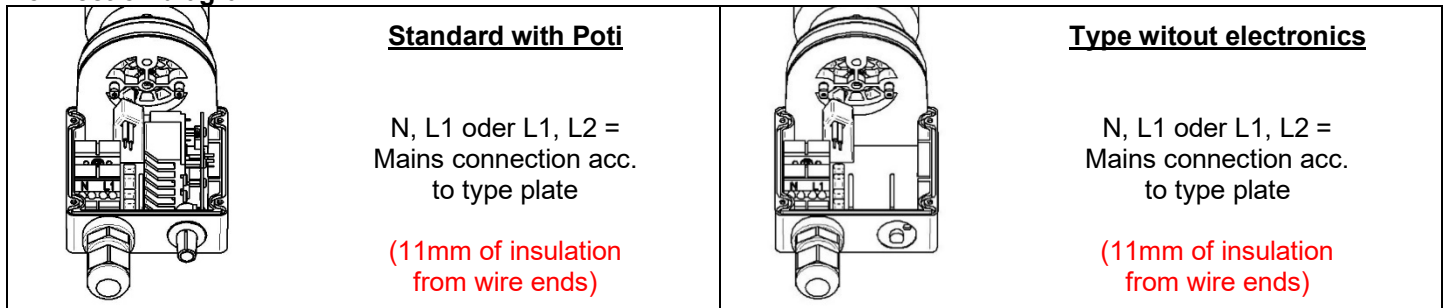
DESCRIPTION OF THE DEVICE AND TECHNICAL SPECIFICATIONS

Description of the device series M:



1. Screwed cable gland mains connection
2. Potentiometer 0-8 (control cable with external control (PWM 10 – 24VDC, max. cycle time 1 second)) (no potentiometer in devices without electronics)
3. Mounting on underside of housing M 4 (useful thread length 7 mm)
4. Heater tube
5. Cover
6. Type plate
7. Air inlet

Connection diagram:



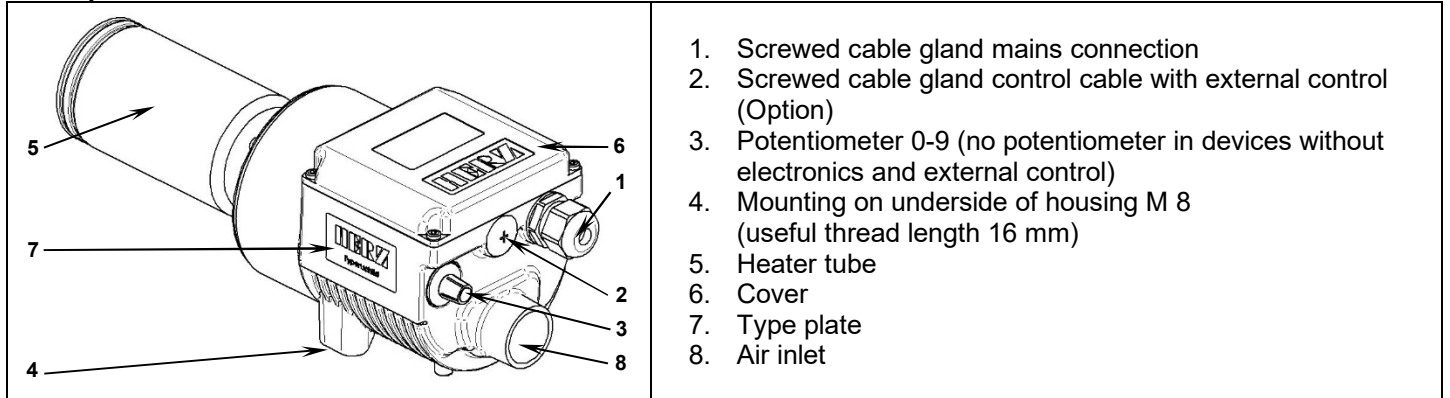
Technical data:

Air heater type		M50					M50L			
Voltage	VAC	120	230	400 – 440	440	480	230	400 – 480	400 – 440	
				(2Ph)				(2Ph)		
Voltage	Hz	50 / 60								
Frequency	kW	2,2	3,6	4,5 – 5,4	4,0	4,4	4,5	4,6 – 6,6	6,1 – 7,4	
Power	A	18,3	10,0	15,7	11,3 – 12,4	9,1	9,2	19,6	11,5 – 13,8	15,3 – 16,8
Electricity	°C	650								
Max. temperature	l/min	260	360	490	530	480	590	600	830	
Min. air volume	kg	0,8					0,9			
Weight	mm	38								
Air inlets Ø	mm	30								
Blow off opening Ø	mm	50 / 65								
Heating pipe Ø	mm	240 x 85 x 90					279 x 85 x 90			
Dimensions (L x W x H)										
Protection class II										

!!! Please ask for special heating elements (power, voltage) !!!

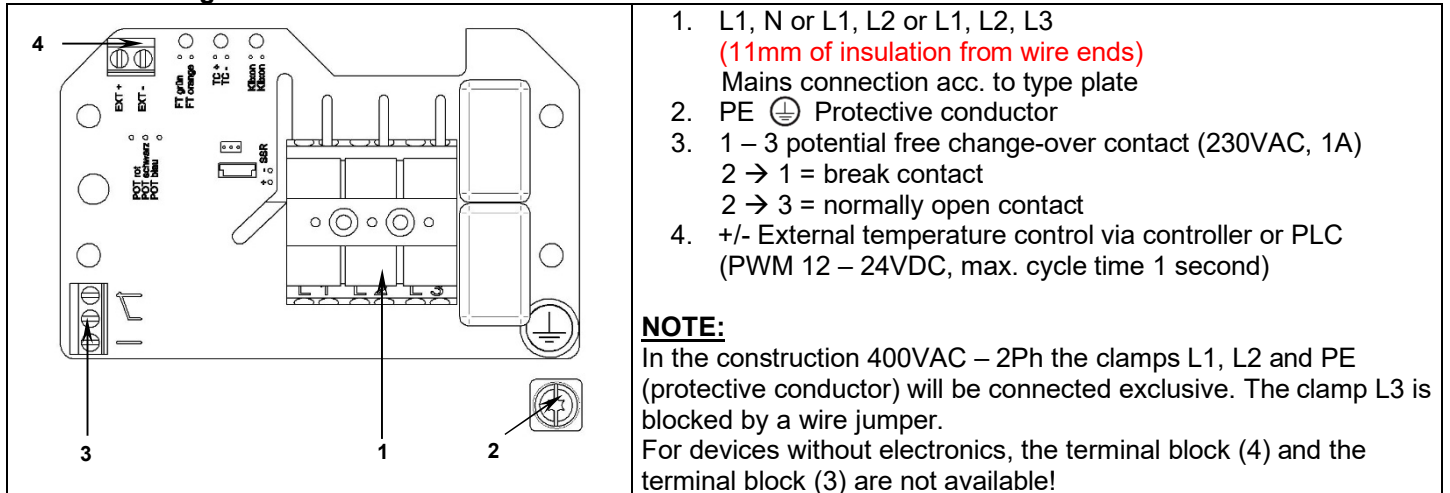
DESCRIPTION OF THE DEVICE AND TECHNICAL SPECIFICATIONS

Description of the device series L62:



1. Screwed cable gland mains connection
2. Screwed cable gland control cable with external control (Option)
3. Potentiometer 0-9 (no potentiometer in devices without electronics and external control)
4. Mounting on underside of housing M 8 (useful thread length 16 mm)
5. Heater tube
6. Cover
7. Type plate
8. Air inlet

Connection diagram:



1. L1, N or L1, L2 or L1, L2, L3
(11mm of insulation from wire ends)
Mains connection acc. to type plate
2. PE \oplus Protective conductor
3. 1 – 3 potential free change-over contact (230VAC, 1A)
2 → 1 = break contact
2 → 3 = normally open contact
4. +/- External temperature control via controller or PLC (PWM 12 – 24VDC, max. cycle time 1 second)

NOTE:

In the construction 400VAC – 2Ph the clamps L1, L2 and PE (protective conductor) will be connected exclusive. The clamp L3 is blocked by a wire jumper.
For devices without electronics, the terminal block (4) and the terminal block (3) are not available!

Technical data:

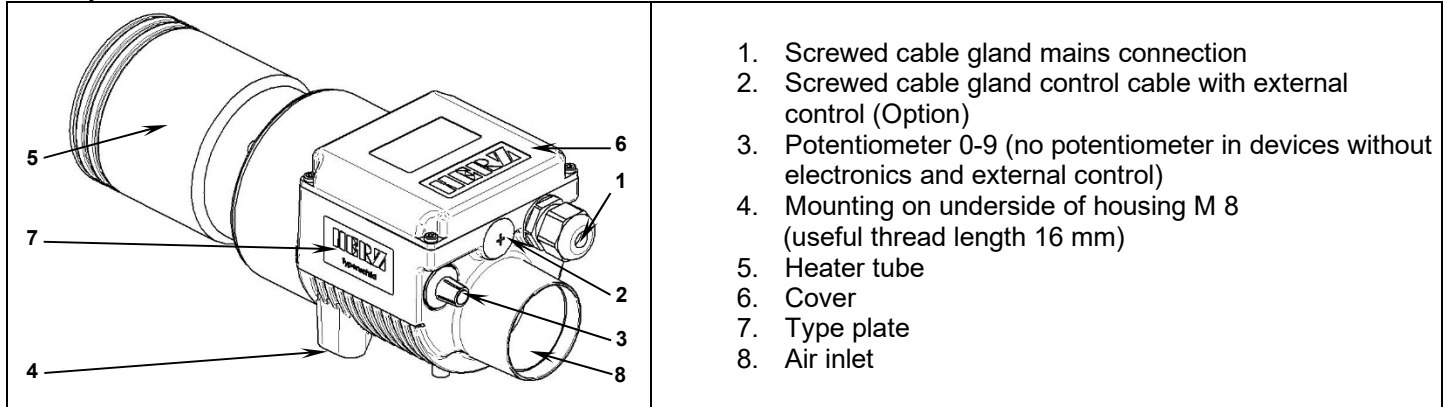
Air heater type		L62									
Voltage	VAC	230	400–480 (2Ph)	400-440 (2Ph) (480 (2Ph))*	230 (3Ph)	400	400 – 480				
Frequency	Hz	50 / 60									
Power	kW	4,4	5,8 – 8,4	8,6 – 10,5 (12,4)*	6,6	8,1	6,6	4,4 – 6,3	6,1 – 9,0	7,6 – 11,0	9,0 – 13,0
Electricity	A	19,1	14,5 – 17,5	21,6–23,9 (25,8)*	16,6	20,3	9,5	6,3 – 7,6	8,8–10,6	11,0–13,2	13,0–15,6
Max. temperature	°C/°F	700/1292									
Min. air volume	l/min	300	520	600	620	740	620	450	580	710	680
Weight	kg	2,9									
Air inlets Ø	mm	38									
Blow off opening Ø	mm	55									
Heating pipe Ø	mm	62 / 74									
Dimensions (L*W*H)	mm	360 x 123 x 124									
Conformity symbol		CE									
Protection class I		\oplus									

*without electronic

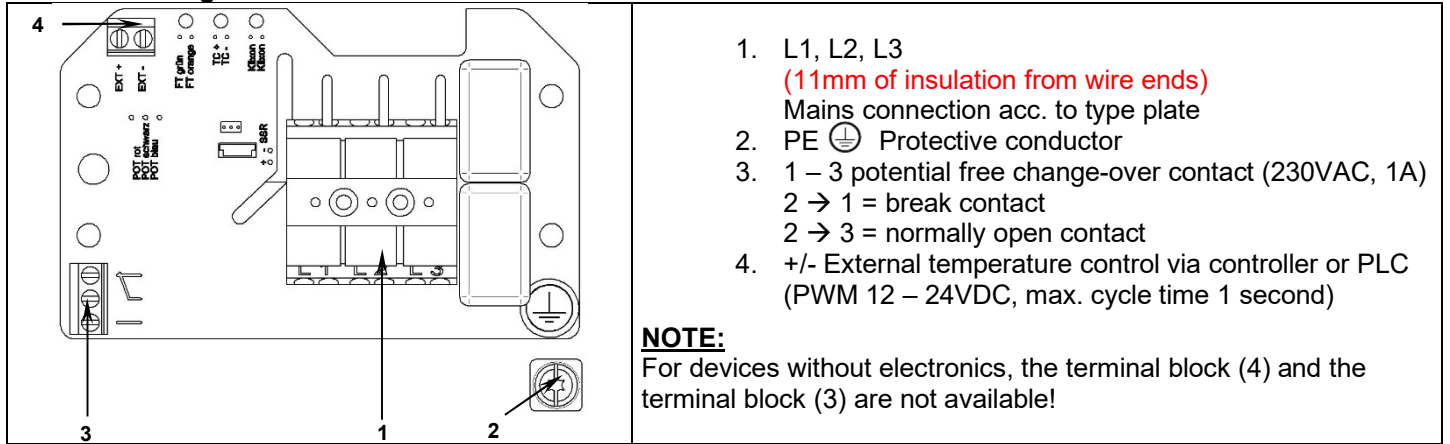
!!! Please ask for special heating elements (power, voltage) !!!

DESCRIPTION OF THE DEVICE AND TECHNICAL SPECIFICATIONS

Description of the device series XL92:



Connection diagram:



Technical data:

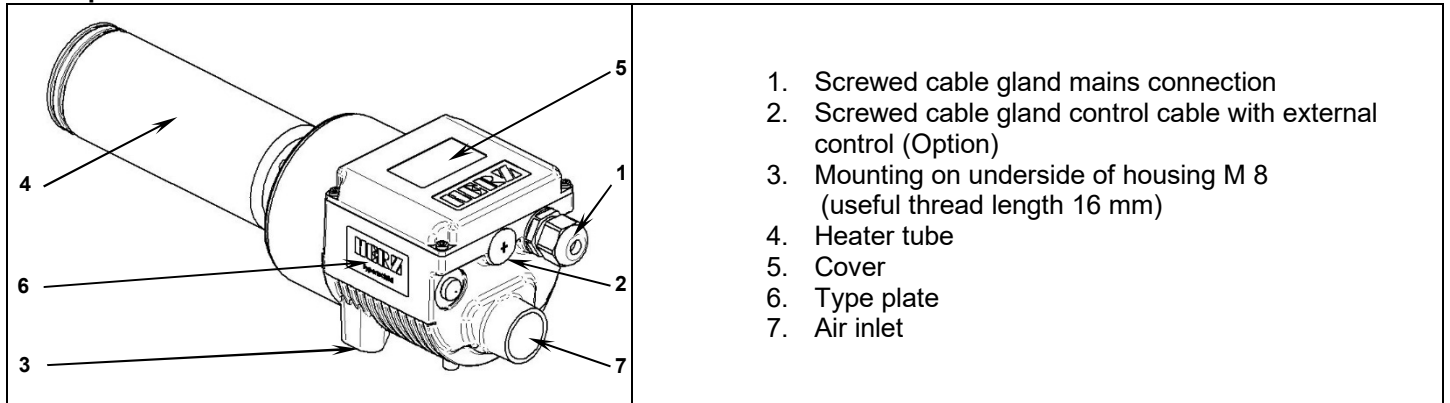
Air heater type		XL92						
Voltage	VAC	230 (3Ph)			400 – 480		400	480
Frequency	Hz	50 / 60						
Power	kW	5,7	10,2	5,9 – 8,5	7,6 – 10,9	11,8 – 17,1	17,0	25,0
Electricity	A	14,3	25,6	8,5 – 10,2	11,0 – 13,1	17,1 – 20,6	24,5	30,1
Max. temperature	°C/°F	650/1202						
Min. air volume	l/min	550	930	560	680	950	1480	
Weight	kg	3,3						
Air inlets Ø	mm	60						
Blow off opening Ø	mm	84						
Heating pipe Ø	mm	92 / 102						
Dimensions (L*W*H)	mm	335 x 123 x 124						
Conformity symbol								
Protection class I								

!!! Please ask for special heating elements (power, voltage) !!!

DESCRIPTION OF THE DEVICE AND TECHNICAL SPECIFICATIONS

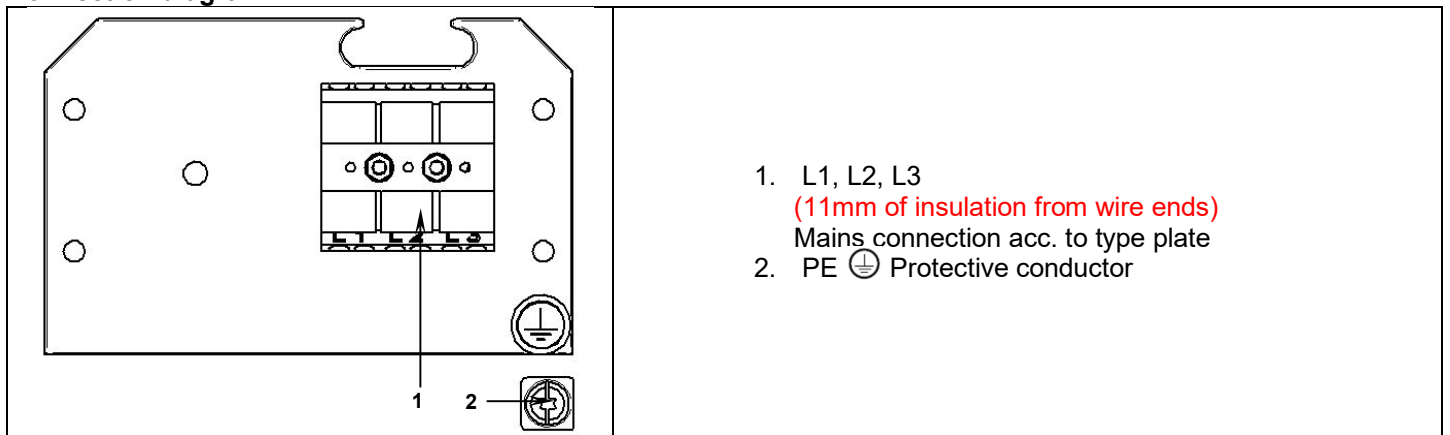
Series L62HT and XL92HT:

Description of the device:



1. Screwed cable gland mains connection
2. Screwed cable gland control cable with external control (Option)
3. Mounting on underside of housing M 8 (useful thread length 16 mm)
4. Heater tube
5. Cover
6. Type plate
7. Air inlet

Connection diagram:



1. L1, L2, L3
(11mm of insulation from wire ends)
Mains connection acc. to type plate
2. PE ⊕ Protective conductor

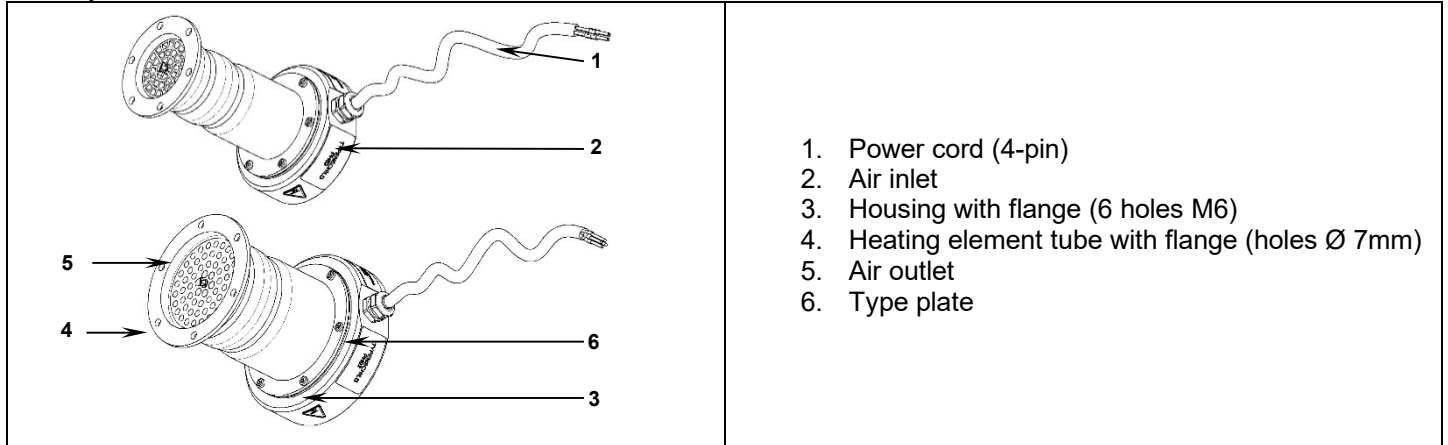
Technical Data:

Air heater type:		L62HT	XL92HT
Voltage	VAC		400
Frequency	Hz		50 / 60
Power	kW	11,0	15,0
Electricity	A	15,6	21,7
Max. temperature	°C/°F		900/1652
Min. air volume	l/min	750	1000
Weight	kg	3,2	3,5
Air inlets Ø	mm	38	60
Blow off opening Ø	mm	55	84
Heating pipe Ø	mm	62 / 74	92 / 102
Dimensions (L x W x H)	mm	402 x 123 x 124	428 x 123 x 124
Conformity symbol	CE		
Protection class I	⊕		

!!! Please ask for special heating elements (power, voltage) !!!

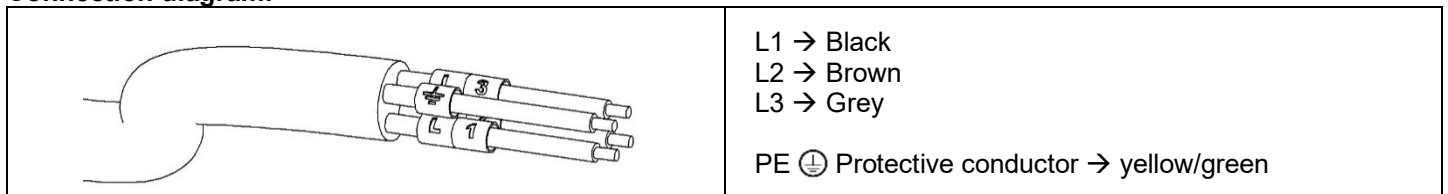
DESCRIPTION OF THE DEVICE AND TECHNICAL SPECIFICATIONS

Description of the device series PH:



- 1. Power cord (4-pin)
- 2. Air inlet
- 3. Housing with flange (6 holes M6)
- 4. Heating element tube with flange (holes Ø 7mm)
- 5. Air outlet
- 6. Type plate

Connection diagram:



- L1 → Black
- L2 → Brown
- L3 → Grey
- PE ⊕ Protective conductor → yellow/green

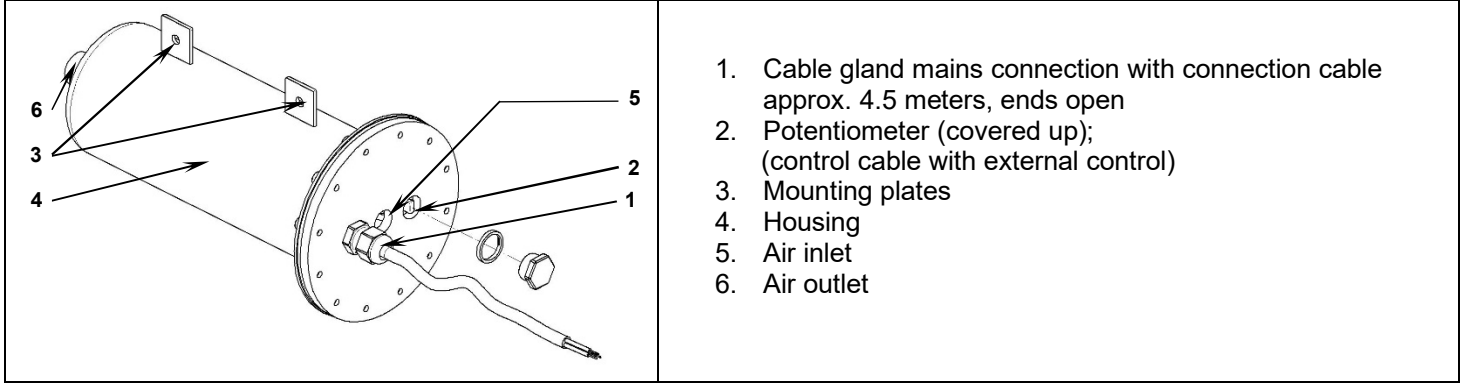
Technical Data:

Air heater type	VAC	PH62			PH92				
		400 – 480	230 (3Ph)	400 – 480	400	480			
Voltage									
Frequency	Hz	50 / 60							
Power	kW	4,4 – 6,3	7,6 – 11,0	10,2	5,9 – 8,5	7,6 – 10,9	11,8 – 17,1	17,0	25,0
Electricity	A	6,3 – 7,6	11,0 – 13,2	25,6	8,5 – 10,2	11,0 – 13,1	17,0 – 20,6	24,5	30,1
Max. temperature	°C/°F	650/1202							
Min. air volume	l/min	450	710	930	560	680	950	1480	
Max. supply air temperature	°C/°F	180/356							
Max. operating pressure	bar	6,0							
Weight	kg	2,7			3,5				
Blow in opening Ø	mm	86			113				
Blow off opening Ø	mm	60			90				
Dimensions (L x W x H)	mm	112,5 x 183 x 92			142,5 x 164 x 122				
Conformity symbol	CE								
Protection class I	⊕								

!!! Please ask for special heating elements (power, voltage) !!!

DESCRIPTION OF THE DEVICE AND TECHNICAL SPECIFICATIONS

Description of the device serie PN10:



Connection diagram

<p>Type PN10-S:</p> <p>L1 → brown N → blue</p>	<p>Type PN10-M 230 VAC and 400 VAC (2Ph):</p> <p>L1 → brown N → blue</p> <p>⊕ Protective conductor → yellow/green</p>	<p>Type PN10-XL 400 VAC:</p> <p>L1 → black L2 → brown L3 → grey</p>
--	---	--

Technical data:

Air heater type		PN10 - S			PN10 - M		PN10 - XL				
Voltage	VAC	230	400(2Ph)	480(2Ph)	230	400 (2Ph)	400 – 480	400	480		
Frequency	Hz	50 / 60									
Power	kW	2,3	3,3		3,7	4,6	5,9 – 8,5	11,8 – 17,1	17,0	25,0	
Electricity	A	10,0	14,3	8,3	6,9	16,1	11,3	8,5 – 10,2	17,0 – 20,6	24,5	30,1
Max. temperature	°C/°F	600/1112									
Min. air volume	l/min	280	420			360	490	560	950	1480	
Max. pressure	bar	10									
Weight Ø	kg	4,7			16,5		24,0				
Air inlets Ø (female)	Zoll	½"			1"		2"				
Blow off opening (female)	Zoll	½"			1"		2"				
Dimensions (L*W*H)	mm	321 x 160			445 x 285		582 x 340				
Conformity symbol	CE										
Protection class I	⊕										

!!! Please ask for special heating elements (power, voltage) !!!

MAINTENANCE

Check all cables for mechanical damage.

SHIPPING

Please return the device for repairs to your nearest **HERZ** Service Centre packaged suitable for transport.

!!! This must be sent carriage-free !!!

In the case of doubt a consultation with **HERZ** is necessary.

SERVICE AND REPAIR

Repairs should only be carried out by authorized **HERZ** Service Centres. These guarantee a professional and reliable 24-hour repair service with original spare parts. A heating element can be changed by qualified personnel.

GUARANTEE AND LIABILITY

Warranty and liability apply from the date of purchase (documented by the invoice/delivery note) according to the currently valid general terms of business of **HERZ** GmbH.

HERZ refuses any warranty for devices that are not in their original condition.

No liability can be assumed by **HERZ** for incorrect installation and/or use as well as natural wear and tear of the device (e.g. heating elements).

HERZ – devices may never be converted and/or modified.

HERZ reserves the right to deny any responsibility if this is ignored.

Note:

This operating manual must be available to the installing and operating personnel at all times. Please read this operating manual carefully before installing and commissioning the device.

Copyright:

This document maybe disclosed to third parties without the express written consent of **HERZ** GmbH. Any type of copying or recording and storage in an electronic form is prohibited.

TRANSPORT, HANDLING AND STORAGE

Transport:

The air heater is properly packed and must be protected from moisture.

Handling:

The delivery is to be checked for completeness and transport damage.

Any transport damages must be confirmed in writing by the transporter upon delivery or when the air heater is handed over and the seller must be notified immediately in writing!

Storage:

If stored temporarily, the air heater should remain packed and protected from moisture. Damage caused by improper storage shall be excluded from the warranty claims.

INFORMATION AND CONSULTATION

The **HERZ** Group and their authorized Service Centres offer free advice and assistance for application technology. Our experts will be pleased to help you with your problems.

DISPOSAL



Electrical equipment, accessories and packaging should be recycled in an environmentally friendly way.
For EU countries only: Do not dispose of electrical equipment with household refuse!

Illustrations and sketches may differ from the original device.
 Subject to changes without notice.

Deutsch

EG-Konformitätserklärung

HERZ-GmbH, A-6141 Schönberg/Austria, bestätigt, dass das nachfolgende Produkt in der von uns in Verkehr gebrachten Ausführung die Anforderung der folgenden Richtlinie(n) erfüllt.

Bezeichnung des Gerätes : Luftheritzer
Type : XS, S, M, L, XL, PN10, PH, HT
Richtlinie(n) : EMV-Richtlinie 2014/30/EU;
 Niederspannungsrichtlinie 2014/35/EU;
 RoHS-Richtlinie: 2011/65/EU
Harmonisierte Normen : EN 61000-6-2:2005; EN 61000-6-4:2006; EN 61000-3-2:2005;
 EN 61000-3-11:2000; EN 60519-1:2015; EN 60519-2:2006;
 EN50581:2012



Oliver Adrian (Geschäftsführer)
 Schönberg, 09.10.2017

English

Declaration of conformity

HERZ-GmbH, A-6141 Schönberg/Austria, confirms that this product, in the version as brought into circulation through us, fulfils the requirements of the following CEE directive(s).

Description of tool : Air heater
Type : XS, S, M, L, XL, PN10, PH, HT
Directives : EMC-Directive 2014/30/EU; Low-Voltage Directive
 2014/35/EU;
 RoHS Directive: 2011/65/EU
Harmonized standards : EN 61000-6-2:2005; EN 61000-6-4:2006; EN 61000-3-2:2005;
 EN 61000-3-11:2000; EN 60519-1:2015; EN 60519-2:2006;
 EN50581:2012



Oliver Adrian (Managing Director)
 Schönberg, 09.10.2017

Français

Déclaration CE de conformité

HERZ-GmbH, A-6141 Schönberg/Austria, confirme que ce produit correspond, en ce qui concerne la conception et le modèle type dans la version commercialisée par notre entreprise, aux réglementations figurant dans les directives européennes désignées ci-dessous.

Description de l'appareil : L'air chauffage
Modèle : XS, S, M, L, XL, PN10, PH, HT
Directive(s) : EMC-Directive 2014/30/EU;
 Directive de basse tension 2014/35/EU;
 RoHS directive: 2011/65/EU
Normes Harmonisées : EN 61000-6-2:2005; EN 61000-6-4:2006; EN 61000-3-2:2005;
 EN 61000-3-11:2000; EN 60519-1:2015; EN 60519-2:2006;
 EN50581:2012



Oliver Adrian (directeur général)
 Schönberg, 09.10.2017

Espanol

Declaración CE de conformidad

HERZ-GmbH, A-6141 Schönberg/Austria, confirma, que este producto, conforme a la ejecución que comercializamos, cumple con las exigencias especificadas en las siguientes directivas de la CE.

Denominación del aparato : Calentador Aire
Modelo : XS, S, M, L, XL, PN10, PH, HT
Directrice(s) : EMC-Directiva 2014/30/EU;
 Directiva de baja tensión 2014/35/EU
 Directiva RoHS: 2011/65/EU
Normas armonizadas : EN 61000-6-2:2005; EN 61000-6-4:2006; EN 61000-3-2:2005;
 EN 61000-3-11:2000; EN 60519-1:2015; EN 60519-2:2006;
 EN50581:2012



Oliver Adrian (director general)
 Schönberg, 09.10.2017

Português

Declaração de conformidade

HERZ-GmbH, A-6141 Schönberg/Austria, confirma que este produto, deste modelo, posto em circulação por nós, cumpre as exigências das seguintes directivas CE.

Descrição de instrumento : Air aquecedor
Datilografar : XS, S, M, L, XL, PN10, PH, HT
Directiva(s) : EMC-Directiva 2014/30/EU;
 Directiva de baja tensión 2014/35/EU;
 Directiva RoHS: 2011/65/EU
Normas conciliadas : EN 61000-6-2:2005; EN 61000-6-4:2006; EN 61000-3-2:2005;
 EN 61000-3-11:2000; EN 60519-1:2015; EN 60519-2:2006;
 EN50581:2012



Oliver Adrian (diretor-gerente)
 Schönberg, 09.10.2017

Italiano

Dichiarazione CE di conformità

HERZ-GmbH, A-6141 Schönberg/Austria, conferma che questo prodotto da noi introdotto sul mercato soddisfa tutti i requisiti richiesti dalle seguenti direttive della CE.

Descrizione dell'apparecchio : Riscaldatore aria
Modello : XS, S, M, L, XL, PN10, PH, HT
Direttive : Direttiva antidisturbo/EMC 2014/30/EU;
 Direttiva bassa tensione 2014/35/EU;
 Direttiva RoHS: 2011/65/EU
Norme armonizzate : EN 61000-6-2:2005; EN 61000-6-4:2006; EN 61000-3-2:2005;
 EN 61000-3-11:2000; EN 60519-1:2015; EN 60519-2:2006;
 EN50581:2012



Oliver Adrian
 (direttore amministrativo)
 Schönberg, 09.10.2017

Nederland

Conformiteitsverklaring

HERZ-GmbH, A-6141 Schönberg/Austria, bevestigt dat dit product in de door ons in omloop gebrachte uitvoering voldoet aan de eisen van de volgende EG-richtlijnen.

Beschrijving van het instrument : Lucht warmtegeleidende

Typen : XS, S, M, L, XL, PN10, PH, HT

Instructie : EMC-richtlijn 2014/30/EU;
Low-voltage richtlijn 2014/35/EU;
RoHS-richtlijn: 2011/65/EU

Geharmoniseerde normen : EN 61000-6-2:2005; EN 61000-6-4:2006; EN 61000-3-2:2005;
EN 61000-3-11:2000; EN 60519-1:2015; EN 60519-2:2006;
EN50581:2012



Oliver Adrian (directeur)
Schönberg, 09.10.2017

Slovensky

Deklaracija o ustreznosti

HERZ-GmbH, A-6141 Schönberg/Austria, potvrdjuje, da ta izdelek v izvedbi, ki jo prodajamo, izpolnjuje zahteve naslednjih smernic EG.

Opis naprave : Grelnik zraka

Tip : XS, S, M, L, XL, PN10, PH, HT

Smernice : Smernica o elektromagnetni združljivosti 2014/30/EU;
Smernica o nizki napetosti 2014/35/EU;
Smernica RoHS: 2011/65/EU

Usklajeni normativi: EN 61000-6-2:2005; EN 61000-6-4:2006; EN 61000-3-2:2005;
EN 61000-3-11:2000; EN 60519-1:2015; EN 60519-2:2006;
EN50581:2012



Oliver Adrian (výkonný riaditeľ)
Schönberg, 09.10.2017

Română

Declaratia de conformitate

HERZ-GmbH, A-6141 Schönberg/Austria, confirmă că, acest produs, în varianta de execuție prezentată de noi, satisface cerințele următoarelor Directive CE.

Descrierea unealta : Aer Cencalziitor

Tipul : XS, S, M, L, XL, PN10, PH, HT

Directive : EMC-Directiva 2014/30/EU; Directiva low-voltage 2014/35/EU;
Directiva RoHS: 2011/65/EU

Norme armonizate : EN 61000-6-2:2005; EN 61000-6-4:2006; EN 61000-3-2:2005;
EN 61000-3-11:2000; EN 60519-1:2015; EN 60519-2:2006;
EN50581:2012



Oliver Adrian (director general)
Schönberg, 09.10.2017

Slovensko

Prehlásenie o shode

HERZ-GmbH, A-6141 Schönberg/Austria, potvrdzuje, že tento výrobok vo vyhotovení, ktoré dávame do predaja, zodpovedá požiadavkám nasledovných smerníc ES.

Označenie prístroja : Ohrievač vzduchu

Typ : XS, S, M, L, XL, PN10, PH, HT

Smernice : EMV-Smernice 2014/30/EU; NN-Smernice 2014/35/EU;
Smernica RoHS: 2011/65/EU

Harmonizované normy : EN 61000-6-2:2005; EN 61000-6-4:2006; EN 61000-3-2:2005;
EN 61000-3-11:2000; EN 60519-1:2015; EN 60519-2:2006;
EN50581:2012



Oliver Adrian (direktor)
Schönberg, 09.10.2017

Български

СЕ - ДЕКЛАРАЦИЯ ЗА СЪОТВЕТСТВИЕ

HERZ-GmbH, A-6141 Schönberg/Austria, потвърждава, че следният продукт, във варианта разпространяван от нас, изпълнява изискванията на следните норматив(и).

Наименование на уреда : Въздух отоплител

Тип : XS, S, M, L, XL, PN10, PH, HT

Норматив(и) : EMV-норматив 2014/30/EU;
Норматив за ниско напрежение 2014/35/EU;
Директива на Румъния: 2011/65/EU

Хармонизирани норми : EN 61000-6-2:2005; EN 61000-6-4:2006; EN 61000-3-2:2005;
EN 61000-3-11:2000; EN 60519-1:2015; EN 60519-2:2006;
EN50581:2012



Oliver Adrian
(управляващ директор)
Schönberg, 09.10.2017

Eesti

Vastavusdeklaratsioon

HERZ-GmbH, A-6141 Schönberg/Austria, kinnitab, et see toode täidab meie poolt ringlusse toodud kujul järgmiste EÜ-direktiivide nõuded.

Tööriista nimetus : Õhukuumendi

Mudel : XS, S, M, L, XL, PN10, PH, HT

Direktiivid : EMC-direktiiv 2014/30/EU; Madalpingedirektiiv 2014/35/EU;
RoHS direktiiv: 2011/65/EU

Harmoneeritud normid : EN 61000-6-2:2005; EN 61000-6-4:2006; EN 61000-3-2:2005;
EN 61000-3-11:2000; EN 60519-1:2015; EN 60519-2:2006;
EN50581:2012



Oliver Adrian (tegevdirektor)
Schönberg, 09.10.2017

Lietuvių

Atitikties deklaracija

HERZ-GmbH, A-6141 Schönberg/Austria, mes patvirtiname, kad šio produkto modelis, paleistas į apyvartą, pilnintai atitinka sekančias EB direktyvas.

Įrankio aprašymas : oro šildytuvas
Tipas : XS, S, M, L, XL, PN10, PH, HT
Direktyvos : EMS direktyva 2044/30/EU;
 žemų įtampų direktyva 2014/35/EU;
 RoHs direktyva: 2011/65/EU
Harmonizuotos normos : EN 61000-6-2:2005; EN 61000-6-4:2006; EN 61000-3-2:2005;
 EN 61000-3-11:2000; EN 60519-1:2015; EN 60519-2:2006;
 EN50581:2012



Oliver Adrian (generalinis direktorius)
 Schönberg, 09.10.2017

Latviešu

Atbilstības deklarācija

HERZ-GmbH, A-6141 Schönberg/Austria, apliecina, ka šis mūsu apgrozījumā nodotais modeļa izstrādājums atbilst visām sekojošo EK direktīvu prasībām.

Instrumenta apraksts : Gaisa sildītājs
Tipi : XS, S, M, L, XL, PN10, PH, HT
Direktīvas : EMC direktīva 2014/30/EU; Zemsprieguma direktīva 2014/35/EU;
 Direktīva par dzīvnieku veselību: 2011/65/EU
Harmonizētas normas : EN 61000-6-2:2005; EN 61000-6-4:2006; EN 61000-3-2:2005;
 EN 61000-3-11:2000; EN 60519-1:2015; EN 60519-2:2006;
 EN50581:2012



Oliver Adrian (rīkotājdirektors)
 Schönberg, 09.10.2017

Dansk

Conformiteitsverklaring

HERZ-GmbH, A-6141 Schönberg/Austria, bekræfter, at dette produkt i den af os kedsførte udførelse overensstemmer med kravene i følgende EF-direktiver..

Beschrijving van het instrument : Air OPVARMNINGSANLÆG
Typen : XS, S, M, L, XL, PN10, PH, HT
Instructie : EMC-richtlijn 2014/30/EU;
 Low-voltage richtlijn 2014/35/EU;
 RoHs Direktiv: 2011/65/EU
Geharmoniseerde normen : EN 61000-6-2:2005; EN 61000-6-4:2006;
 EN 61000-3-2:2005; EN 61000-3-11:2000;
 EN 60519-1:2015; EN 60519-2:2006; EN50581:2012



Oliver Adrian
 (administrerende direktør)
 Schönberg, 09.10.2017

Svenska

Försäkran om överensstämmelse

HERZ-GmbH, A-6141 Schönberg/Austria, försekrar att denna produkt i det utförande vi har levererat produkten överensstämmer med kraven i följande EG-direktiv.

Beskrivning av verktyg : Air värmaren
Typ : XS, S, M, L, XL, PN10, PH, HT
Direktion : EMC-direktiv 2014/30/EU; Låg-Spänning direktiv 2014/35/EU;
 RoHs Direktiv: 2011/65/EU
Harmoniserade standarder : EN 61000-6-2:2005; EN 61000-6-4:2006; EN 61000-3-2:2005;
 EN 61000-3-11:2000; EN 60519-1:2015; EN 60519-2:2006;
 EN50581:2012



Oliver Adrian (Direktör)
 Schönberg, 09.10.2017

Suomi

Vaatimustenmukaisuusvakuutus

HERZ-GmbH, A-6141 Schönberg/Austria, todistaa, että tämä tuote, meiltä toimittamassamme kunossa täyttää seuraavien EY-direktiivien vaatimukset

Tuotteen kuvaus : Kuumailmapuhallin
Type : XS, S, M, L, XL, PN10, PH, HT
Direktiivit : EMC-direktiivi 2014/30/EU; Pienjännitedirektiivi 2014/35/EU;
 RoHs-direktiivi: 2011/65/EU
Harmonisoidut standardit : EN 61000-6-2:2005; EN 61000-6-4:2006; EN 61000-3-2:2005;
 EN 61000-3-11:2000; EN 60519-1:2015; EN 60519-2:2006;
 EN50581:2012



Oliver Adrian (toimitusjohtaja)
 Schönberg, 09.10.2017

Ελληνική

Δήλωση της πιστότητας

HERZ-GmbH, A-6141 Schönberg/Austria, επιβεβαιώνει ότι το προϊόν, με τη μορφή που τίθενται σε κυκλοφορία με εμάς, πληροί τις απαιτήσεις των παρακάτω CEE οδηγιών(-ες).

Περιγραφή του νομοθετικού μέσου : προθερμαντήρας αέρος, αεροθερμαντήρας
θερμό αέρα εργαλείο : XS, S, M, L, XL, PN10, PH, HT
Οδηγίες : EMC-οδηγία 2014/30/EU;
 Χαμηλής Τάσης οδηγία 2014/35/EU;
 Οδηγία RoHs: 2011/65/EU
εναρμονίζω πρότυπα : EN 61000-6-2:2005; EN 61000-6-4:2006;
 EN 61000-3-2:2005; EN 61000-3-11:2000;
 EN 60519-1:2015; EN 60519-2:2006; EN50581:2012



Oliver Adrian (διευθύνων σύμβουλος)
 Schönberg, 09.10.2017

Polski

Deklaracja zgodności CE

HERZ-GmbH, A-6141 Schönberg/Austria, poświadczają, że produkt w tym wykonaniu handlowym spełnia wymogi następujących dyrektyw UE.

Opis urządzenia : Nagrzewnica powietrza
Typ : XS, S, M, L, XL, PN10, PH, HT
Dyrektywy : EMC-Dyrektywa 2014/30/EU;
niskonapięciowa dyrektywa 2014/35/EU;
Dyrektywa RoHs: 2011/65/EU
Zharmonizowane normy : EN 61000-6-2:2005; EN 61000-6-4:2006; EN 61000-3-2:2005;
EN 61000-3-11:2000; EN 60519-1:2015; EN 60519-2:2006
EN50581:2012



Oliver Adrian (dyrektor zarządzający)
Schönberg, 09.10.2017

Magyar

CE – Gyártói nyilatkozat

HERZ-GmbH, A-6141 Schönberg/Austria, igazolja, hogy ez a termék az általunk forgalomba hozott kivitelben megfelel az alábbi irányelvek követelményeinek.

Készülék fajtája : Léghevítő
Típus : XS, S, M, L, XL, PN10, PH, HT
Irányelvek : EMV-irányelv: 2014/30/EU;
Alacsonyfeszültségű irányelv: 2014/35/EU
RoHs irányelv: 2011/65/EU
Harmonizált szabványok : EN 61000-6-2:2005; EN 61000-6-4:2006; EN 61000-3-2:2005;
EN 61000-3-11:2000; EN 60519-1:2015; EN 60519-2:2006;
EN50581:2012



Oliver Adrian (ügyvezető igazgató)
Schönberg, 09.10.2017

Česky

Prohlášení o shodě

HERZ-GmbH, A-6141 Schönberg/Austria, potvrzuje, že tento výrobek v provedení daném námi do provozu splňuje požadavky následujících směrnic EU.

Označení výrobku : Ohřívač vzduchu
Typ : XS, S, M, L, XL, PN10, PH, HT
Směrnice : EMK-směrnice 2014/30/EU;
Low-Voltage směrnice 2014/35/EU;
Směrnice RoHs: 2011/65/EU
Harmonizované normy : EN 61000-6-2:2005; EN 61000-6-4:2006; EN 61000-3-2:2005;
EN 61000-3-11:2000; EN 60519-1:2015; EN 60519-2:2006;
EN50581:2012



Oliver Adrian (Výkonný ředitel)
Schönberg, 09.10.2017

Русский язык

CE - ЗАЯВЛЕНИЕ О ДЕКЛАРАЦИИ СООТВЕТСТВИЯ

HERZ-GmbH, A-6141 Schönberg/Austria, подтверждает, что нижеследующий продукт в нами принятым в торговый оборот исполнении выполняет требования следующей(их) директив(ы).

Описание прибора: Калорифер
Тип : XS, S, M, L, XL, PN10, PH, HT
Директива : ЭМС- директива 2014/30/EU;
директива низкого напряжения 2014/35/EU;
Директива RoHs: 2011/65/EU
Согласованные нормы : EN 61000-6-2:2005; EN 61000-6-4:2006; EN 61000-3-2:2005;
EN 61000-3-11:2000; EN 60519-1:2015; EN 60519-2:2006;
EN50581:2012



Oliver Adrian (управляющий)
Schönberg, 09.10.2017

Norsk

Deklaration av samsvarsmåling fra

HERZ-GmbH, A-6141 Schönberg, bekrefter at denne modellen av vårt solgte produkt oppfyller kravene i følgende EF-direktiver.

Beskrivelse av verktøyet : Air håndklær
Typ : XS, S, M, L, XL, PN10, PH, HT
Direktivene : EMC-direktivet 2014/30/EU; Lav-Volt direktivet 2014/35/EU;
RoHs Direktiv: 2011/65/EU
Harmoniserte standarder : EN 61000-6-2:2005; EN 61000-6-4:2006; EN 61000-3-2:2005;
EN 61000-3-11:2000; EN 60519-1:2015; EN 60519-2:2006;
EN50581:2012



Oliver Adrian (administrerende direktør)
Schönberg, 09.10.2017

Türkçe

Uygunluk Beyanı

HERZ-GmbH, A-6141 Schönberg, bu ürünün piyasaya sunduğumuz haliyle aşağıdaki EG yönetmeliği hükümlerine uygunluğunu beyan eder.

Açıklama takım : Hava ısıtıcı
Typ : XS, S, M, L, XL, PN10, PH, HT
Yönetmelikler : EMC – Directive 2014/30/EU; Düşük - Gerilim Direktifi 2014/35/EU;
RoHs Yönergesi: 2011/65/EU
Birleşik normlar : EN 61000-6-2:2005; EN 61000-6-4:2006; EN 61000-3-2:2005;
EN 61000-3-11:2000; EN 60519-1:2015; EN 60519-2:2006;
EN50581:2012



Oliver Adrian (General Manager)
Schönberg, 09.10.2017

HERZ GmbH
Kunststoff- & Wärmetechnologie
Biberweg 1
DE – 56566 Neuwied
Tel.: +49 (0)2622-8855-0
Fax 1: +49 (0)2622-8855-135
Fax 2: +49 (0)2622-8855-136
www.herz-gmbh.com
info@herz-gmbh.com

HERZ Austria GmbH
Kunststoff- & Wärmetechnologie
Gleinser Weg 27
AT – 6141 Schönberg / Tirol
Tel.: +43 (0)5225-63113
Fax: +43 (0)5225-6311385
www.herz-austria.at
herz.schoenberg@herz-gmbh.com

HERZ Hungária Kft.
Műanyag- és hőlégtéchnika
Pesti út 284
HU – 2225 Üllö
Tel.: +36 (06)29-522400
Fax: +36 (06)29-522410
www.herz-hungaria.hu
herz@herz-hungaria.hu

HERZ Bulgaria OOD
Boul. Assen Yordanov 10
BG – 1592 Sofia
Tel.: +359 (0)2-9790351
www.herz-bulgaria.com
office@herz-bulgaria.com

HERZ GmbH
Kunststoff- & Wärmetechnologie
Am Arenberg 26A
DE – 86456 Gablingen
Tel.: +49 (0)8230-85085
Fax: +49 (0)8230-85087
www.herz-gmbh.com
robert.einberger@herz-gmbh.com

HERZ Austria GmbH
Kunststoff- & Wärmetechnologie
Johann-Galler-Str. 20 IZ – NÖ – Nord
AT – 2120 Wolkersdorf i. Weinviertel
Tel.: +43 (0)2245-82494-0
Fax: +43 (0)2245-82494-9
www.herz-austria.at
herz.wolkersdorf@herz-gmbh.com

HERZ Polska Sp.z o. o.
Technologie obróbki tworzyw sztucznych
Ul. Kostrzyńska 30
PL – 02-979 Warszawa
Tel.: +48 (0)22-8428583
Fax: +48 (0)22-8429700
www.herz-polska.pl
herz@herz-polska.pl