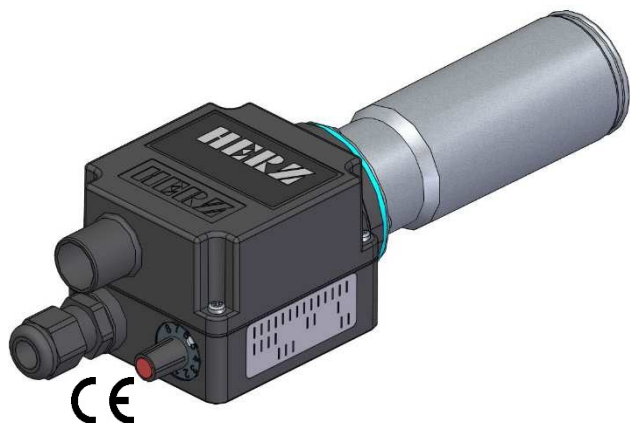


Air heater type S36 from 1,8 to 3,3 KW



Function: Air heater with external air supply by means of fan or compressed air.
CAUTION !!! Device is not pressure-resistant !!!

Configuration: Default: Temperature control with potentiometer (1 – 8)
- alternatively with external potentiometer (cable length 5 meter) or
- external control by control unit or SPS (cable length 5 meter)

The device is equipped with a reliable heating element protection. The integrated device protection turns off the device when tripped and resets automatically after cooling down. A reset is not required.

Features: Special design with internal thermocouple (cable length 1 or 5 meter):
- for devices with electronic equipment max. supply air temperature 50°C/122°F
- the unit is available without electronics (without heating element protection)
- for devices without electronic equipment max. supply air temperature 80°C/176°F

Power: 1,8 KW - 3,3 KW
Voltage: 120VAC, 230 VAC

Technical data:

Item number / Basic versions	Potentiometer	5700122	5101436	5101428	5101426	on request	on request
	external control	on request	on request	5101429	5101382	on request	on request
	without electronic	on request	on request	5101410	5101434	5101440	5101439
Voltage	VAC	120		230		400 (2Ph)	480 (2Ph)
Frequency	Hz	50 / 60					
Power	KW	1,8	2,2	2,3	3,3		
Current	A	15,0	18,3	10,0	14,3	8,3	6,9
Max. temperature	°C/°F	650/1202					
Min. air volume	l/min	230	280		420		
Weight	kg	0,47					
Air intake	Ø mm	19					
Air outlet	Ø mm	22					
Heater tube	Ø mm	36 / 43					
Dimensions	mm (L x W x H)	241 x 70 x 59					
Conformity mark							
Protection class II							

Air heater type S36 from 1,8 to 3,3 KW

Product description:	Connection scheme:		
<p>1. Cable fitting mains supply 2. Potentiometer 0-8 (control cable for ext. control); (no Potentiometer for devices without electronic) 3. Mounting on bottom of housing M 4 (screw depth 7 mm) 4. Heating element pipe Ø36mm 5. Cover 6. Data plate 7. Air intake Ø19mm</p>		<p>Default with potentiometer</p> <p>N, L1 = Main connection according to data plate</p>	<p>External control</p> <p>N, L1 = Main connection according to data plate</p> <p>Digital signal (PWM max. 0,5Hz) 10-24VDC + = brown - = white</p>
		<p>Version without electronics</p> <p>N, L1 = Main connection according to data plate</p>	

Air heater type S36 from 1,8 to 3,3 KW

Available Versions:

Item no.	Description
5700122	Air heater type S36 120 VAC 1,8 KW with potentiometer
5101436	Air heater type S36 120 VAC 2,2 KW with potentiometer
5101428	Air heater type S36 230 VAC 2,3 KW with potentiometer
5101429	Air heater type S36 230 VAC 2,3 KW externally controllable (PWM 12-24 VDC, 1 Hz) with 5.0m control cable (2-pin)
5101410	Air heater type S36 230 VAC 2,3 KW without electronics
5101426	Air heater type S36 230 VAC 3,3 KW with potentiometer
5101382	Air heater type S36 230 VAC 3,3 KW externally controllable (PWM 12-24 VDC, 1 Hz) with 5.0m control cable (2-pin)
5101434	Air heater type S36 230 VAC 3,3 KW without electronics
5101440	Air heater type S36 400 VAC (2Ph) 3,3 KW without electronics
5101439	Air heater type S36 480 VAC (2Ph) 3,3 KW without electronics






Available modifications:

Artikelnummer	Typ	Modifikation
5005005.1	S02	External potentiometer for heating including 5m control line; 3 pole; Potentiometer is soldered to the end of the cable; including potentiometer knob red;
5005021.3	S05	Internal PID control via internal potentiometer without digital display;
5005010.3	S06	Internal thermocouple including 2m compensation cable with open ends green (+) white (-);
5005007	S12	A push-in nipple for air hose 8/6mm is mounted on the air connection
5005019	S13	Instead of the potentiometer for devices WITHOUT electronics, a 1/4 "compressed air hose connection 6/4mm is installed; This is used to monitor the pressure in the housing;
5005036.2	S23	Device with tube adapter without protective tube; Standard is with protective tube;
5700141	S31	100% heating output with heating element protection for type S/M (for basic device without electronics);

The basic device for this modification is always standard with a potentiometer

Air heater type S36 from 1,8 to 3,3 KW

Accessories:

Item no.	Description
5107250	 Flange connector, push fit on the protective tube
5107155	 Tubular nozzle \varnothing 5mm
5107003	 Angle nozzle 90°, \varnothing 12mm
5107251	 Extension tube 210 x 36,5mm
5107261	 Wide slot nozzle 70 x 4mm

Combination possibilities for devices WITH electronic*:

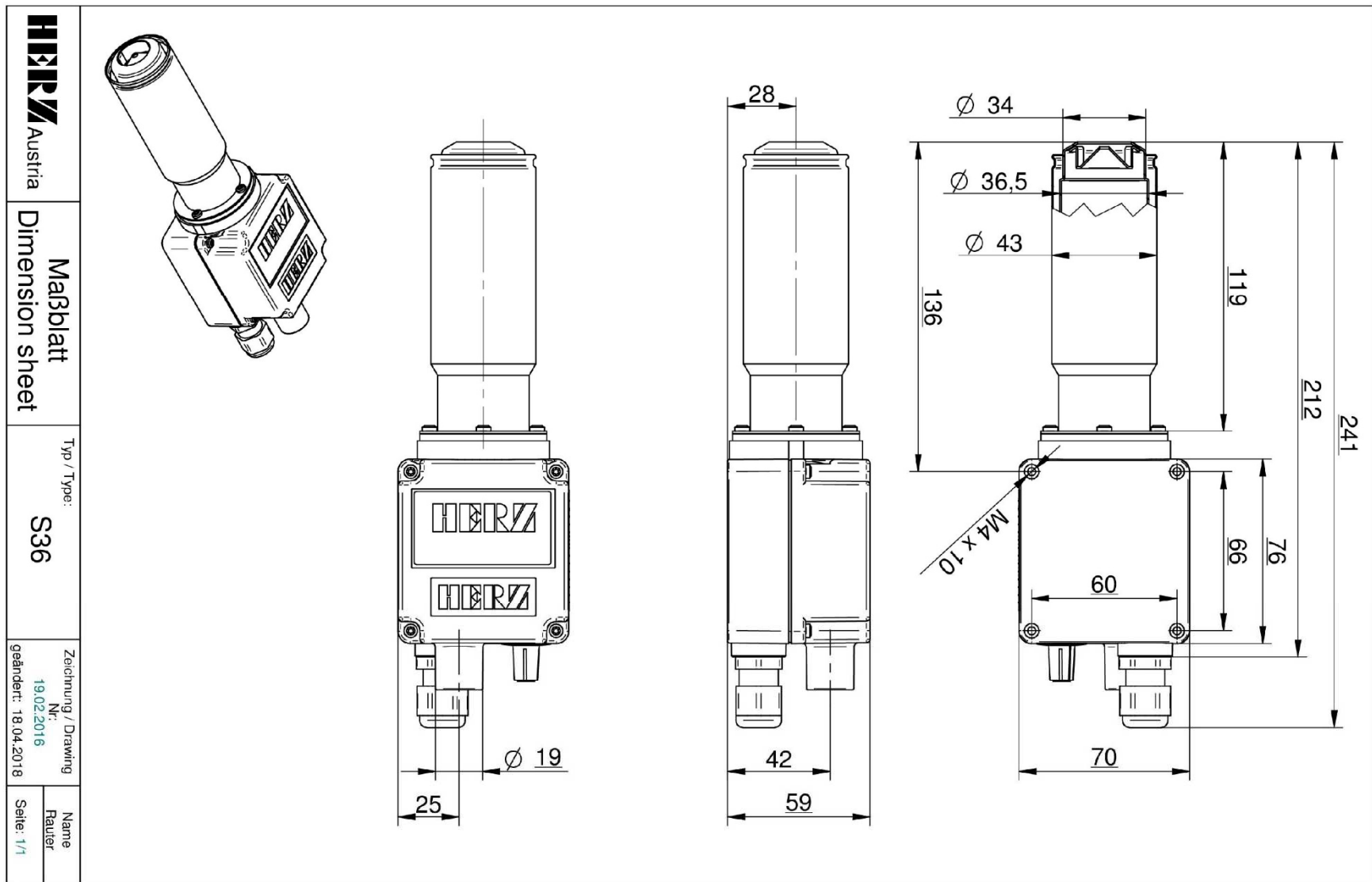
Measuring point: 3.0 mm after the air outlet pipe adapter – without nozzle, measured at the hottest point
Hose length: 1,0 m
Air supply: Blower 400 Volt, 50 Hz (HD = High pressure blower, MD = Medium pressure blower)
Air flow: NI / min = standard liters per minute according to DIN 1343

CAUTION: Air flow and temperature are indicative which can change due to external influences and changes air hose diameter and length!

Blower type	Quantity, air heater type, voltage, power	Air flow at 50 Hz with heating [NI / min.]	Maximum temperature at 50 Hz [°C/°F]
HD140	1 x S36; 230VAC; 2,3KW	680	340/644
	2 x S36; 230VAC; 2,3KW	2 x 500	400/752
	4 x S36; 230VAC; 2,3KW	4 x 310	540/104
HD140	1 x S36; 230VAC; 3,3KW	630	450/842
	2 x S36; 230VAC; 3,3KW	2 x 480	520/968
HD240	4 x S36; 230VAC; 3,3KW	4 x 660	380/716

*Data without guarantee

Air heater type S36 from 1,8 to 3,3 KW



Änderungen vorbehalten / Changes reserved

Air heater type S36 from 1,8 to 3,3 KW

HERZ GmbH

Kunststoff- & Wärmetechnologie
Biberweg 1
DE – 56566 Neuwied
Tel.: +49 (0)2622-8855-0
Fax: +49 (0)2622-8855-135
Fax: +49 (0)2622-8855-136
www.herz-gmbh.com
info@herz-gmbh.com

HERZ Austria GmbH

Kunststoff- & Wärmetechnologie
Gleinser Weg 27
AT – 6141 Schönberg / Tirol
Tel.: +43 (0)5225-63113
Fax: +43 (0)5225-6311385
www.herz-austria.at
herz.schoenberg@herz-gmbh.com

HERZ Hungária Kft.

Műanyag- és hőlégtéchnika
Pesti út 284
HU – 2225 Üllő
Tel.: +36 (06)29-522400
Fax: +36 (06)29-522410
www.herz-hungaria.hu
herz@herz-hungaria.hu

HERZ Bulgaria OOD

Boul. Assen Yordanov 10
BG – 1592 Sofia
Tel.: +359 (0)2-979035
www.herz-bulgaria.com
office@herz-bulgaria.com

HERZ GmbH

Kunststoff- & Wärmetechnologie
Am Arenberg 26A
DE – 86456 Gablingen
Tel.: +49 (0)8230-85085
Fax: +49 (0)8230-85087
www.herz-gmbh.com
robert.einberger@herz-gmbh.com

HERZ Austria GmbH

Kunststoff- & Wärmetechnologie
Johann-Galler-Str. 20 IZ – NÖ – Nord
AT – 2120 Wolkersdorf i. Weinviertel
Tel.: +43 (0)2245-82494-0
Fax: +43 (0)2245-82494-9
www.herz-austria.at
herz.wolkersdorf@herz-gmbh.com

HERZ Polska Sp.z o.o.

Technologie obróbki tworzyw sztucznych
Ul. Kostrzyńska 30
PL – 02-979 Warszawa
Tel.: +48 (0)22-8428583
Fax: +48 (0)22-8429700
www.herz-polska.pl
herz@herz-polska.pl